

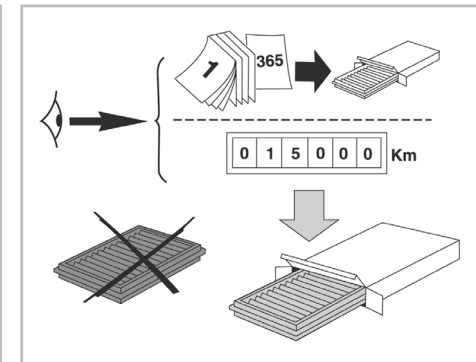
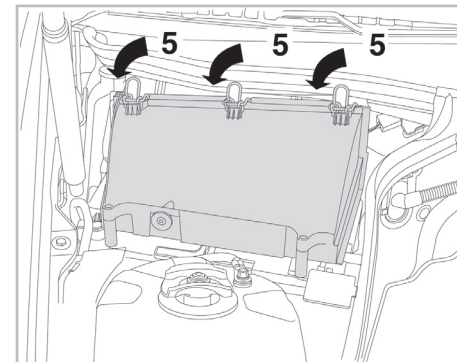
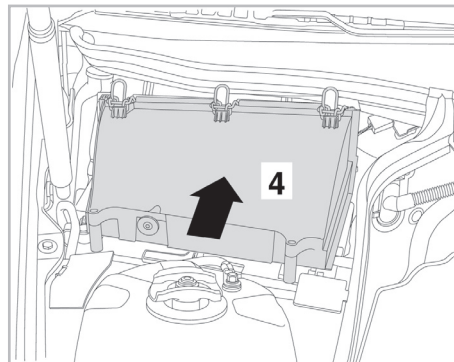
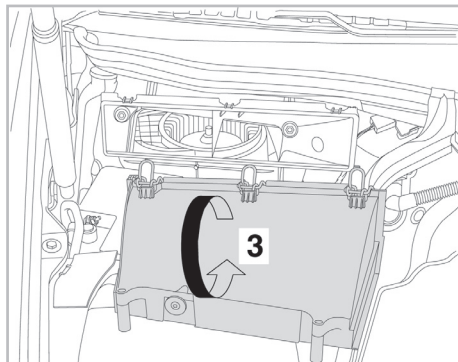
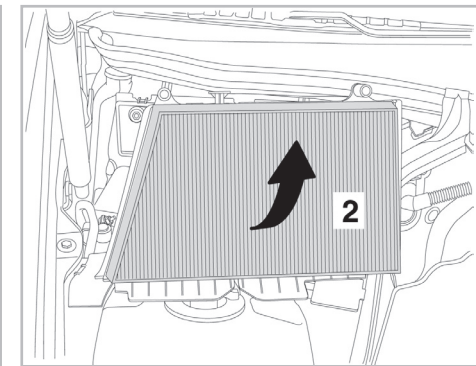
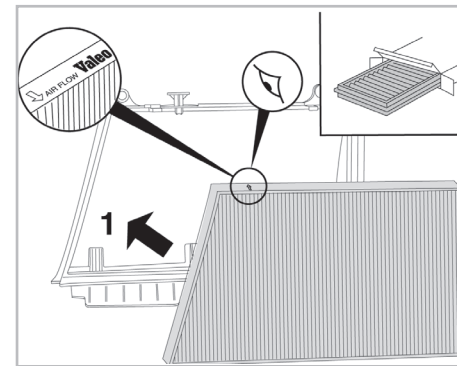
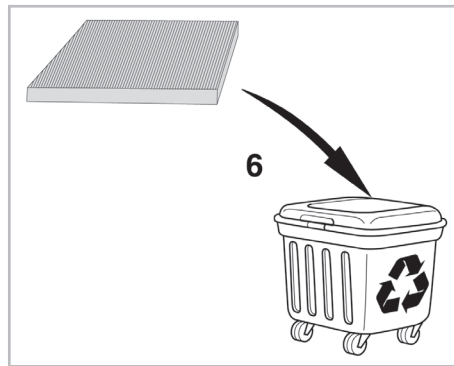
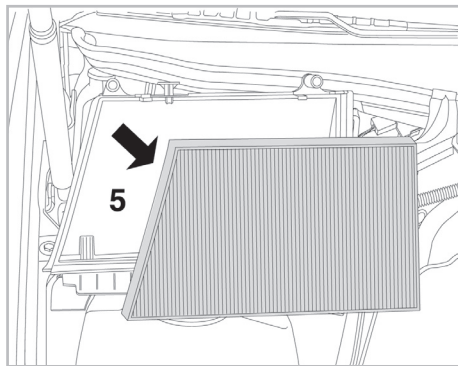
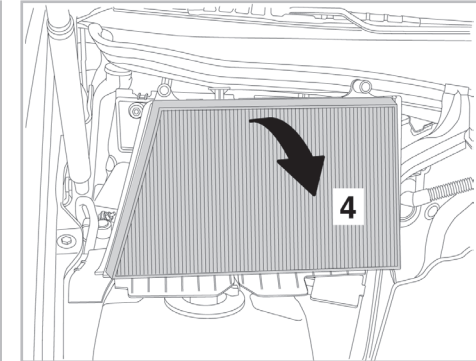
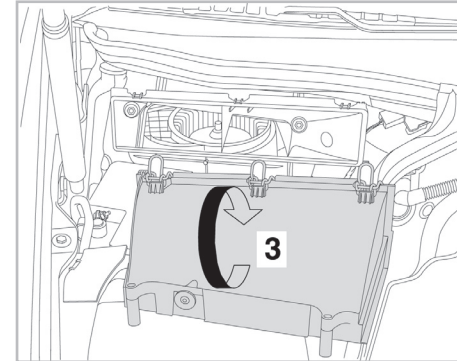
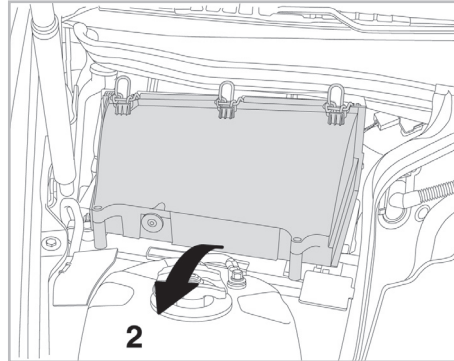
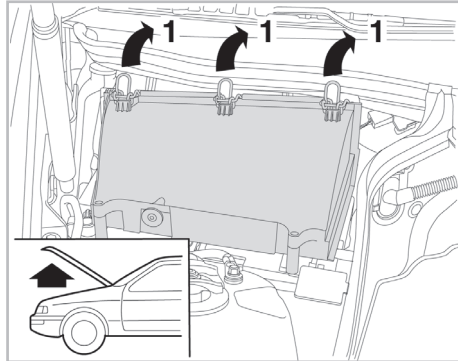


PROTECT

combined with active carbon

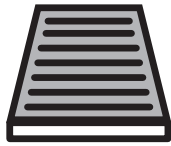


FOR MERCEDES C CLASS (203) A/C+/- (04/00 >) / CLK (209) A/C+ (03/02 >)



698743

FH273



CA

WANT TO KNOW MORE?



www.valeo-techassist.com

Valeo Service - Société par Actions Simplifiée - Capital de 12 900 000 € - 70, rue Pleyel, 93285 Saint-Denis Cedex - France - B 306 486 408 RCS Bobigny