



## VARTA BLUE dynamic EFB

For more information visit [varta-automotive.com](http://varta-automotive.com)

### ORDER INFORMATION

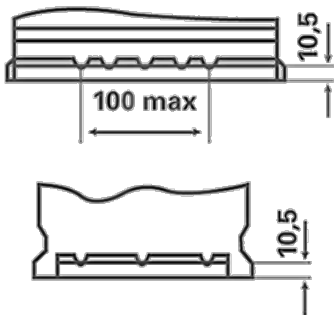
<b>European Type No. (ETN):</b>	580500080
<b>Article Number:</b>	580500080D842
<b>Short Code:</b>	N80
<b>Barcode:</b>	4016987152324
<b>UK Code:</b>	115EFB
<b>Packaging Unit:</b>	1
<b>Quantity per Pallet:</b>	42

### TECHNICAL INFORMATION

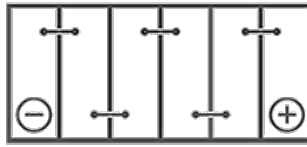
<b>Voltage [V]:</b>	12	<b>Base Hold-down:</b>	B13
<b>Battery Capacity [Ah]:</b>	80	<b>Layout:</b>	0
<b>CCA, EN [A]:</b>	800	<b>Terminal Types:</b>	1
<b>Length [mm]:</b>	315	<b>Case Size:</b>	H7/LN4
<b>Width [mm]:</b>	175	<b>Weight filled (kg):</b>	21,68
<b>Height [mm]:</b>	190		

# DRAWINGS

**B13**



**0**



**1**



**3**

