



## VARTA BLACK dynamic

### Vehicle Key Benefits



Engineered to the highest German standards



Patented PowerFrame® grid for reliable starting power, fast recharge and corrosion resistance.



Fulfills requirements of the OE as a matching spare part

For more information visit [varta-automotive.com](http://varta-automotive.com)

### ORDER INFORMATION

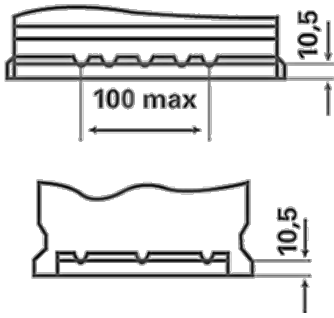
<b>European Type No. (ETN):</b>	588403074
<b>Article Number:</b>	5884030743122
<b>Short Code:</b>	F5
<b>Barcode:</b>	4016987119464
<b>UK Code:</b>	024
<b>Packaging Unit:</b>	1
<b>Quantity per Pallet:</b>	36

### TECHNICAL INFORMATION

<b>Voltage [V]:</b>	12	<b>Base Hold-down:</b>	B13
<b>Battery Capacity [Ah]:</b>	88	<b>Layout:</b>	0
<b>CCA, EN [A]:</b>	740	<b>Terminal Types:</b>	1
<b>Length [mm]:</b>	353	<b>Case Size:</b>	T8/LBN5
<b>Width [mm]:</b>	175	<b>Weight filled (kg):</b>	20,25
<b>Height [mm]:</b>	175		

DRAWINGS

**B13**



**0**



**1**



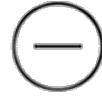
ø 19,5  
H 18



ø 17,9  
H 18



pos.



neg.