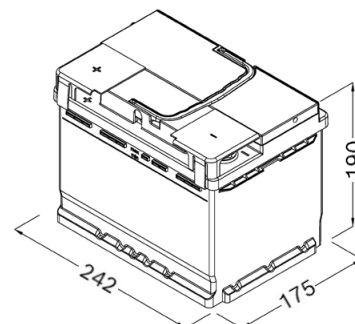


# SLI Battery For passenger vehicles



## Part information

|               |                                   |
|---------------|-----------------------------------|
| Part No:      | 0092PP0060                        |
| Short code:   | PP006                             |
| Product line: | Power Plus                        |
| Technology:   | SLI - Starting-Lighting-Ignition* |
| EAN code:     | 4047026554335                     |
| Box color     | Silver                            |



## Technical information

|   |                  |                 |                          |
|---|------------------|-----------------|--------------------------|
| Nominal Voltage:  | 12 V             |                 |                          |
| Nominal capacity: (EN / 20 hr discharge down to 10.5 V) | C20              | 63 Ah           |                          |
| Cold cranking amps: (EN / -18°C U10s ≥ 7.5 V)           | 580 A            |                 |                          |
| Group size:   | L02              |                 |                          |
| JIS type:   | -                |                 |                          |
| Short-time angle of inclination:                        | 55°              |                 |                          |
| Permanent angle of inclination:                         | 0°               |                 |                          |
| Dimension:  | Length<br>242 mm | Width<br>175 mm | Ht. w terminal<br>190 mm |
| Total battery weight: (approx., filled battery)         | 14,3 kg          |                 |                          |
| Layout: (ETN, DIN 72331)                                | ETN 1            |                 |                          |
| Terminal: (ETN, DIN 72331)                              | EN taper post    |                 |                          |
| Base hold down: (ETN, DIN 72331)                        | B13              |                 |                          |
| Degassing:  | Central          |                 |                          |

## Technical data

|                    |   |
|--------------------|---|
| Application:       | Conventional  |
| Service:           | Maintenance-free  |
| Standard charging: | Charging voltage: 14,4 V  |
|                    | Charging current: 6,3 A   |
|                    | Charging pattern: IU  |
| Standards:         | DIN EN 60095-1, -2, -4 Lead-acid starter batteries;<br>DIN EN 50342 Lead-acid starter batteries;<br>DIN 41 773, Charger with IU characteristics |

\*SLI (Starting-lighting-ignition): lead-acid starting-lighting-ignition/starter battery