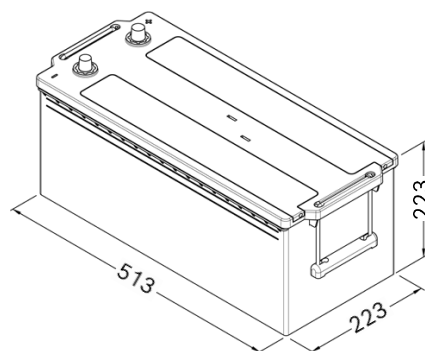


# EFB Battery For commercial vehicles



## Part information

Part No:	0092TP0E77
Short code:	TP0E7
Product line:	Power EFB
Technology:	EFB - Enhanced Flooded Battery*
EAN code:	4047026581645
Box color:	Silver



## Technical information

Nominal Voltage:	12 V		
Nominal capacity: (EN / 20 hr discharge down to 10.5 V)	C20	185 Ah	
Cold cranking amps: (EN / -18°C U10s ≥ 7.5 V)	1100 A		
Group size:	D05		
JIS type:	-		
Short-time angle of inclination:	55°		
Permanent angle of inclination:	0°		
Dimension:	Length 513 mm	Width 223 mm	Ht. w terminal 223 mm
Total battery weight: (approx., filled battery)	46,4 kg		
Layout: (ETN, DIN 72331)	ETN 3		
Terminal: (ETN, DIN 72331)	EN taper post		
Base hold down: (ETN, DIN 72331)	B00		
Degassing:	Central		

## Technical data

Application:	Start/Stop
Service:	Maintenance-free
Standard charging:	Charging voltage: 14,4 V
	Charging current: 18,5 A
	Charging pattern: IU
Standards:	DIN EN 60095-1, -2, -4 Lead-acid starter batteries; DIN EN 50342 Lead-acid starter batteries; DIN 41 773, Charger with IU characteristics

\* EFB (Enhanced Flooded Battery): the positive plate is coated with a polyester scrim, thus keeping the self-discharge rates low