

MOOG LINK STABILISER

FI-LS-4548

ALFA ROMEO / FIAT / OPEL / VAUXHALL
GIULIETTA, MITO / 500L, PUNTO,
GRANDE PUNTO/ CORSA

CHROMIUM COATING

Chromium coating for **maximum corrosion protection** and better visual appearance

STEEL CAPS FOR LINK STABILISER

Metal closing cap for **extendend lifetime** and better visual appearance

SYNTHETIC GREASE

Special synthetic grease for **reduced friction** and **increased durability of the joint**

YELLOW SEALING RINGS

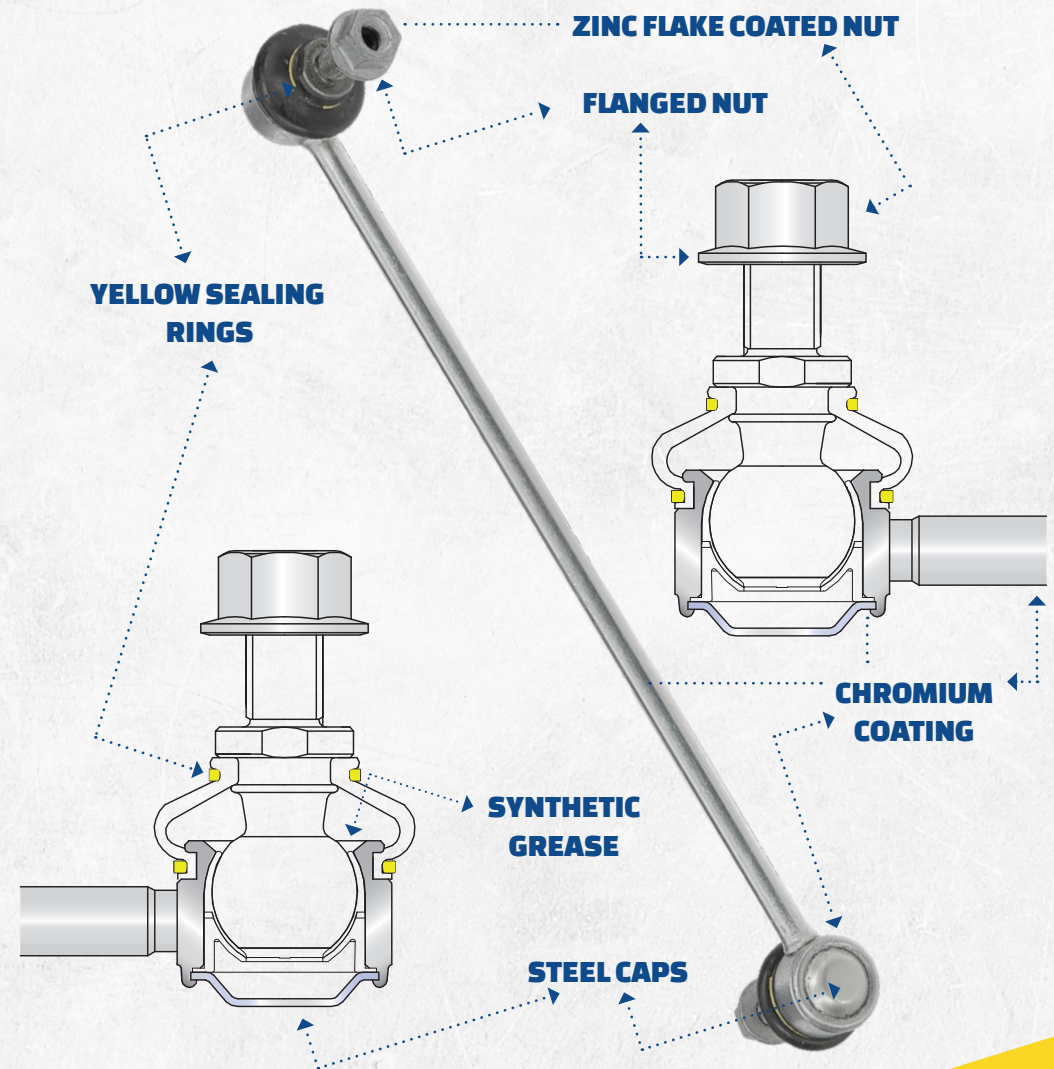
Yellow metal sealing rings for **optimal sealing performance**

ZINC FLAKE COATED NUT

Resistant zinc flake coated nut for **maximum corrosion resistance**

FLANGED NUT

Durable flanged nut for **precise and durable clamping force**



For additional technical support visit
www.drivparts.com/en-eu/garagegurus.html



FOLLOW US   www.moogparts.eu

