

BALL JOINT ME-BJ-2075

MERCEDES-BENZ
A-CLASS, B-CLASS

CARBON FIBER BEARING

for better durability

SYNTHETIC GREASE

Special synthetic grease for **reduced friction** and **increased durability** of the joint

INDUCTION HARDENED BALL PIN

for **increased strength** and **higher durability**

ZINC FLAKE COATED NUT

Resistant zinc flake coated nut for **maximum corrosion resistance**

FLANGED NUT

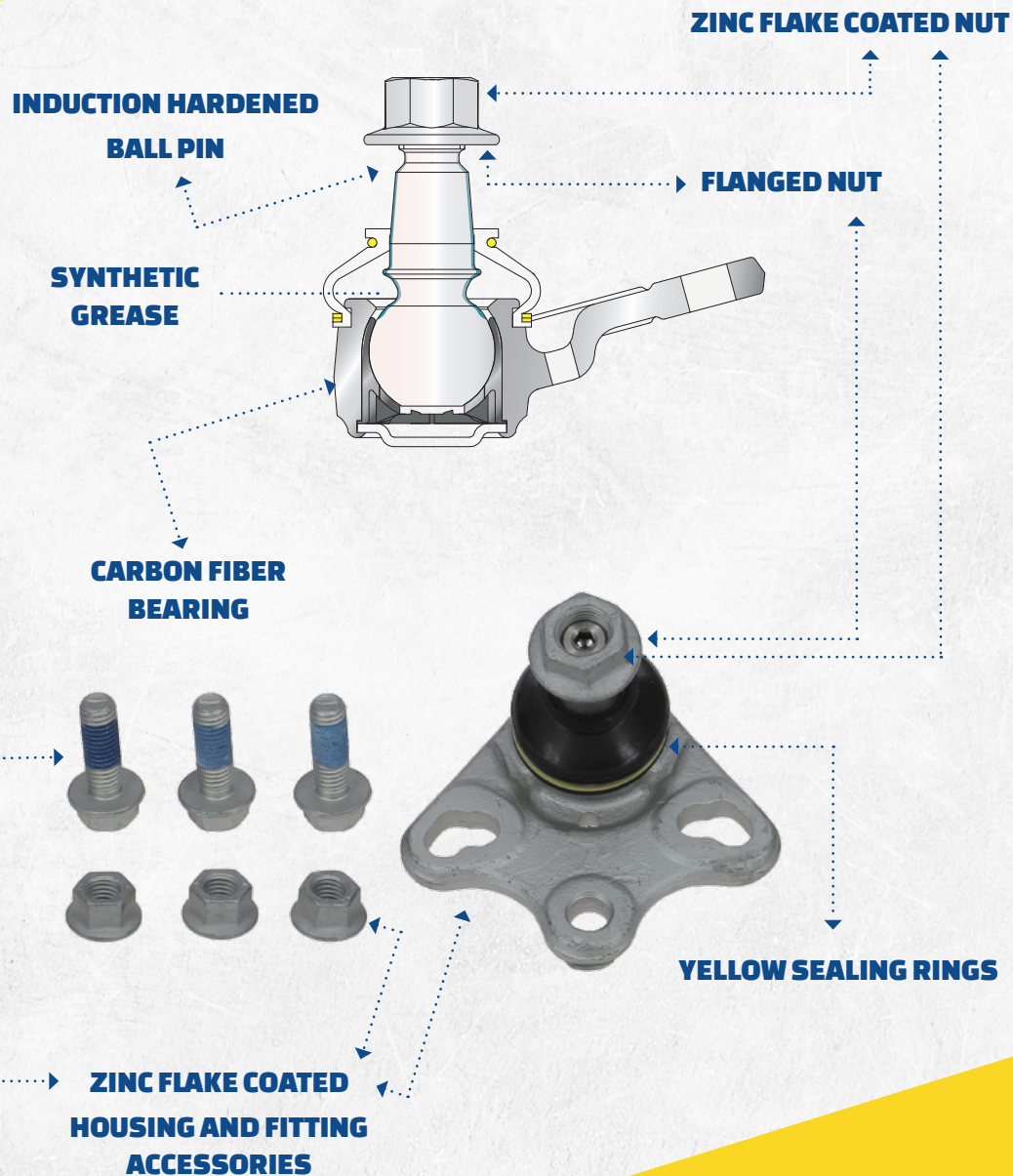
Durable flanged nut for **precise** and **durable clamping force**

YELLOW SEALING RINGS

Yellow metal sealing rings for **optimal sealing performance**

ZINC FLAKE COATED HOUSING

and fitting accessories, for **maximum corrosion protection** and **better visual appearance**



For additional technical support visit
www.drivparts.com/en-eu/garagegurus.html



FOLLOW US   www.moogparts.eu

