

# MOOG AXIAL ROD RE-AX-0589

NISSAN / RENAULT  
KUBISTAR / CLIO, KANGOO, THALIA

## CARBON FIBER BEARING

for better durability

## ZINC FLAKE COATED NUT

Resistant zinc flake coated nut for maximum corrosion resistance

## PHOSPHATE COATED STUD

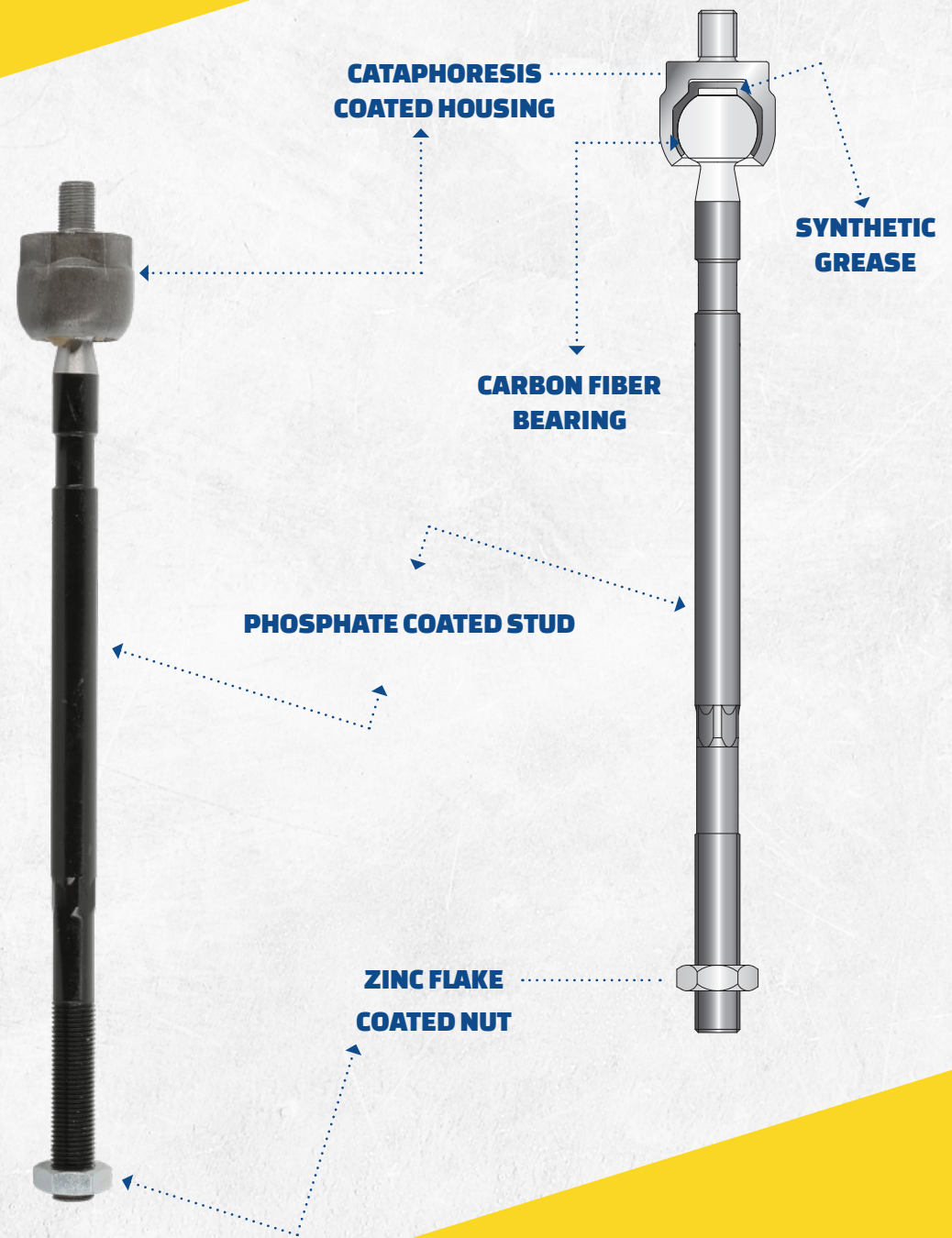
for efficient corrosion resistance

## CATAPHORESIS COATED HOUSING

for maximum corrosion protection and better visual appearance

## SYNTHETIC GREASE

Special synthetic grease for reduced friction and increased durability of the joint



For additional technical support visit  
[www.drivparts.com/en-eu/garagegurus.html](http://www.drivparts.com/en-eu/garagegurus.html)



FOLLOW US   [www.moogparts.eu](http://www.moogparts.eu)

