

MOOG TIE ROD AXLE RE-AX-2091

RENAULT
MEGANE, SCÉNIC, GRAND SCÉNIC

CARBON FIBER BEARING

for better durability

ZINC FLAKE COATED NUT

Resistant zinc flake coated nut for maximum corrosion resistance

PHOSPHATE COATED STUD

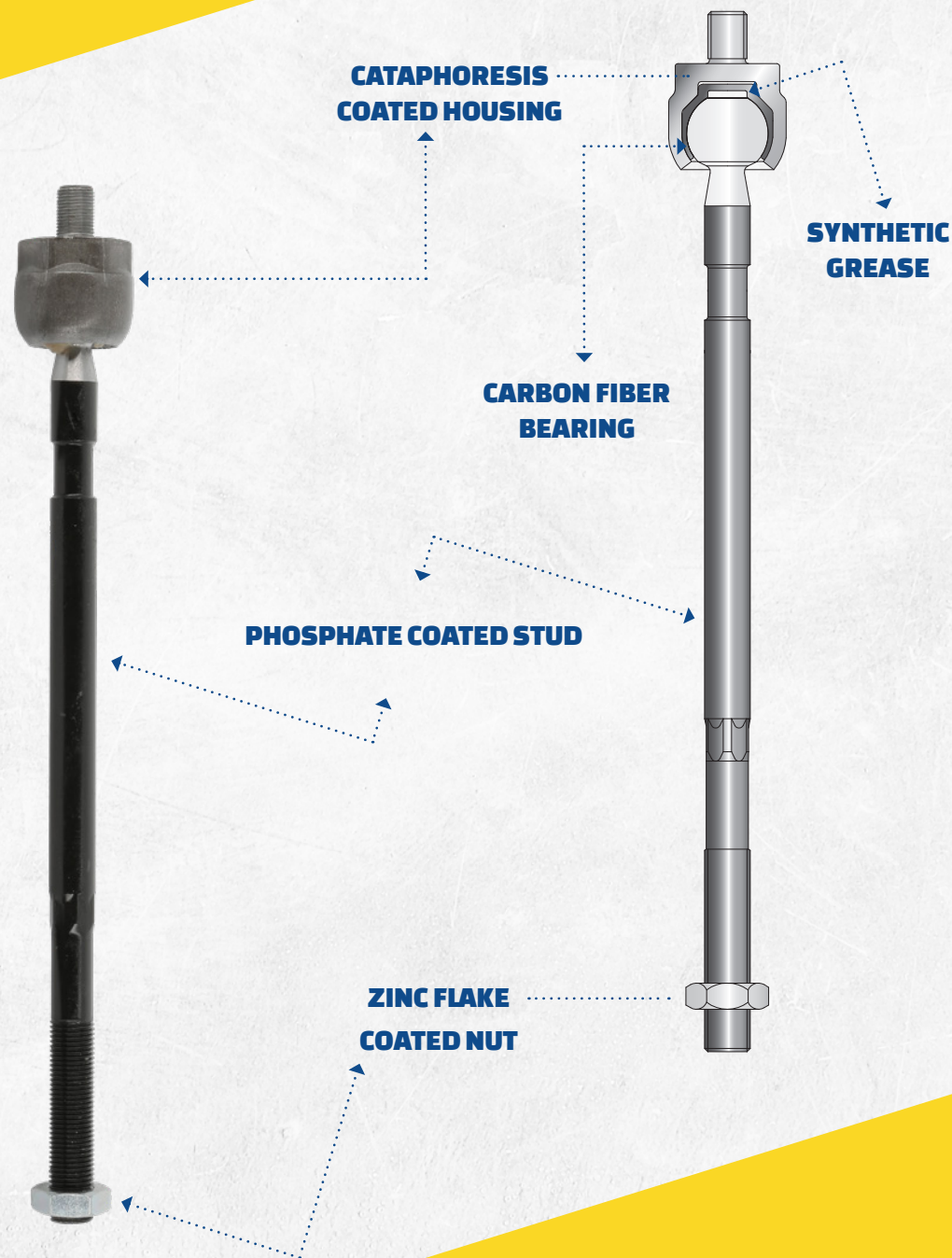
for efficient corrosion resistance

CATAPHORESIS COATED HOUSING

for maximum corrosion protection and better visual appearance

SYNTHETIC GREASE

Special synthetic grease for reduced friction and increased durability of the joint



For additional technical support visit
www.drivparts.com/en-eu/garagegurus.html



FOLLOW US   www.moogparts.eu

