



professional

Strut Top Mounting

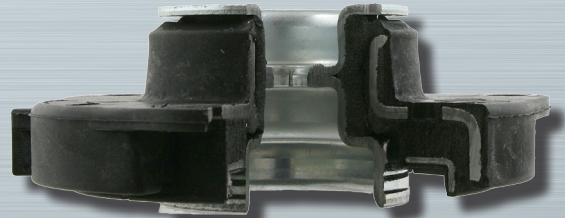
To fit

Audi A3 / Sportback (OE ref. 1KO 412 331 B)

Seat Altea, Toledo (OE ref. 1KO 412 331B)

Skoda Octavia (OE ref. 1KO 412 331B)

VW Caddy, Golf 5 / Plus, Touran (OE ref. 1KO 412 331 B)

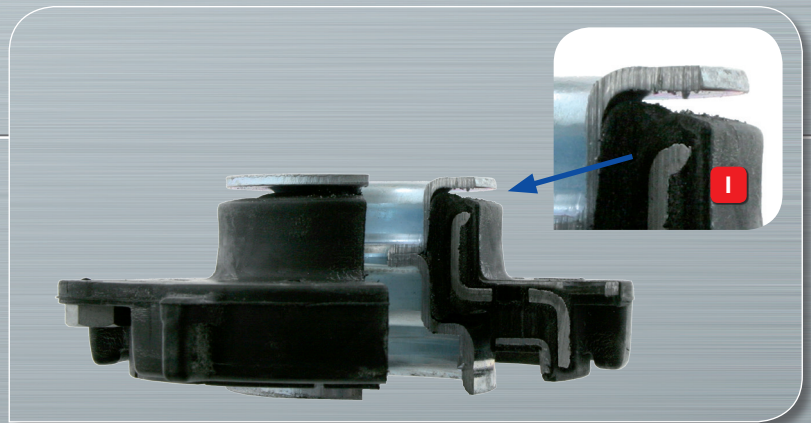


PROBLEM

Noise and squeaking from the front axle, even with original VW parts.

CAUSE

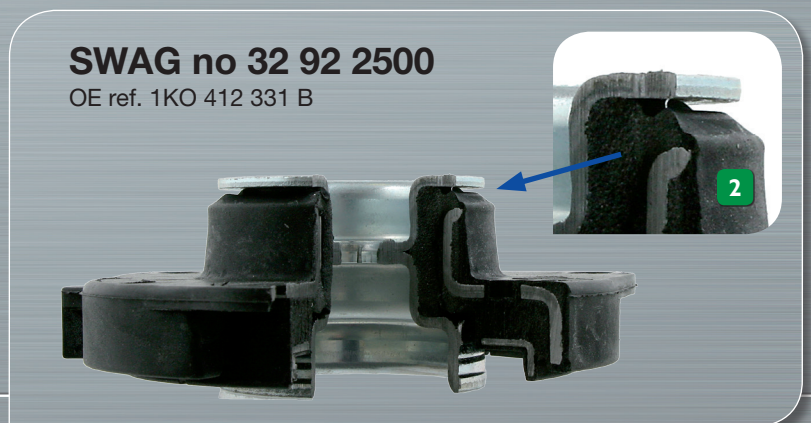
These problems are caused by poor manufacturing and use of inferior materials. Mostly, the rubber metal compound dissolves due to insufficient vulcanization. This leads to a high failure rate.



SOLUTION

SWAG recommends to use the strut top mounting SWAG 32 92 2500 (OE ref. 1KO 412 331 B).

The SWAG strut top mounting is characterised by the use of high-grade material and professional manufacturing. Material and manufacturing exceed the car manufacturers' requirements. SWAG strut top mountings are also very durable.



SWAG no 32 92 2500

OE ref. 1KO 412 331 B

ATTENTION

The strut top mounting bearing (SWAG Nr. 32 92 2498) should also be replaced! The repair kit SWAG 32 92 2502 contains all components which should be replaced, strut top mounting (32 92 2500) and ball bearing (32 92 2498).



Repair kit
SWAG Nr. 32 92 2502