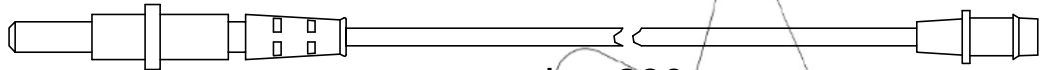
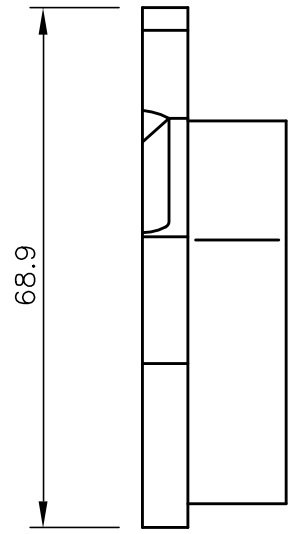
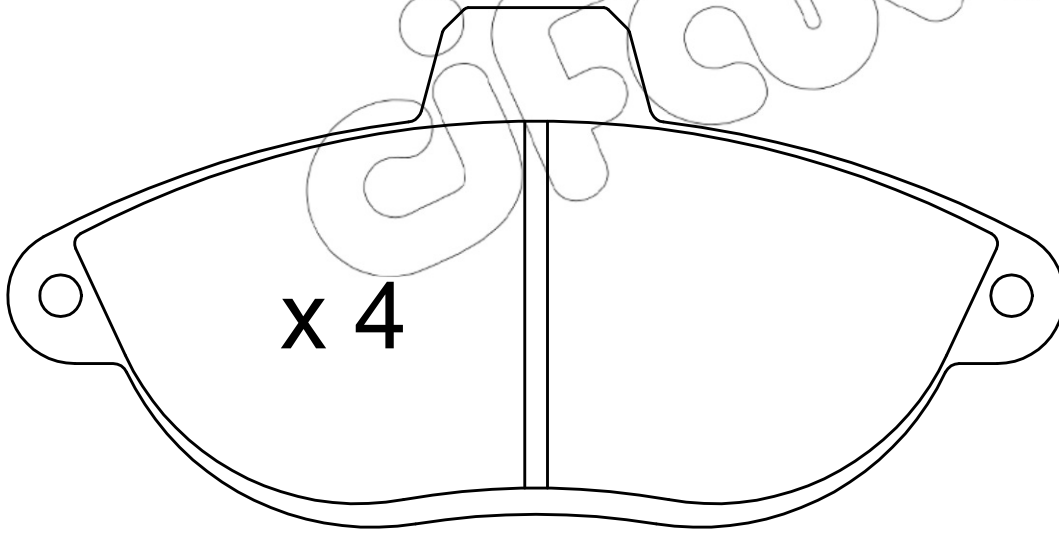


x 2



L = 280

x 4



68.9

140

19

iFAM

iFAM