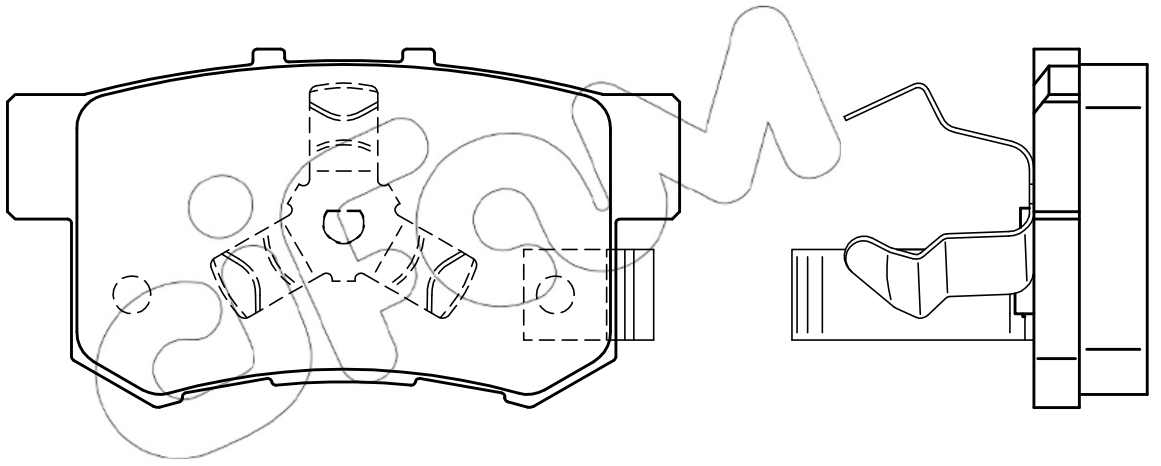
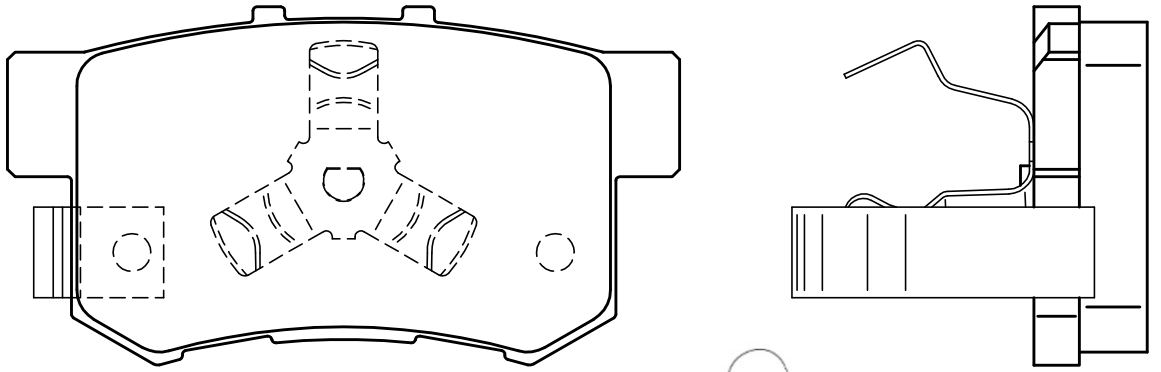


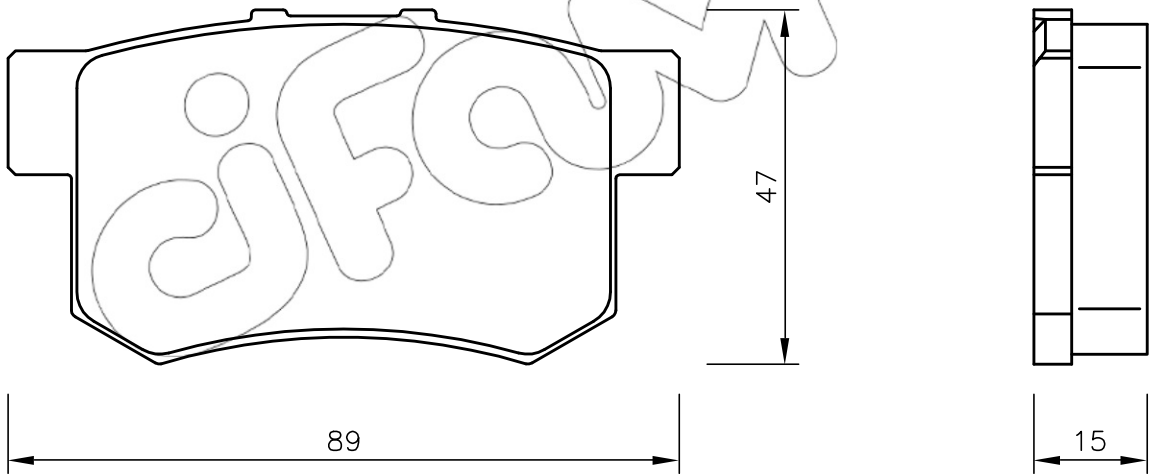
x 1



x 1



x 2



difam