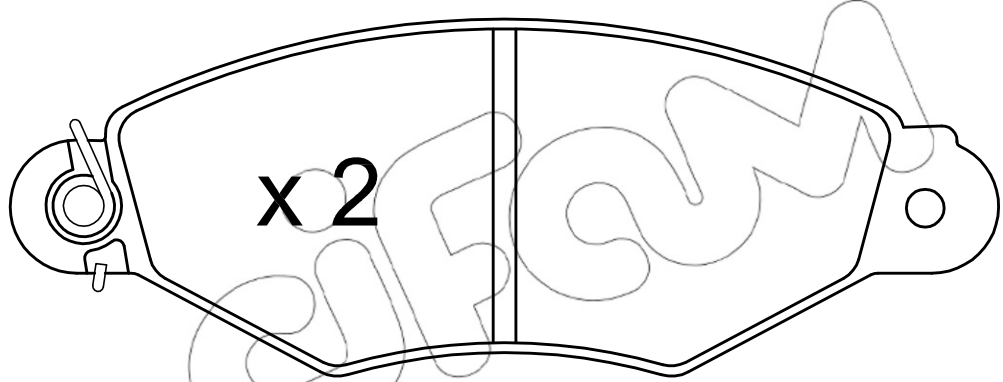
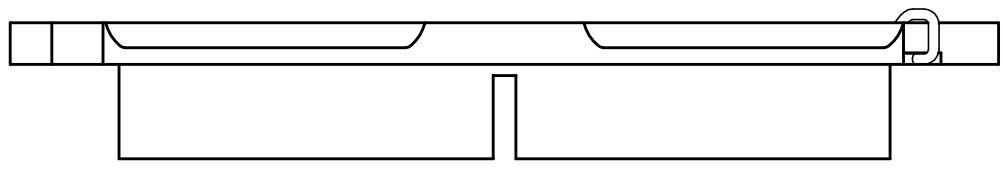
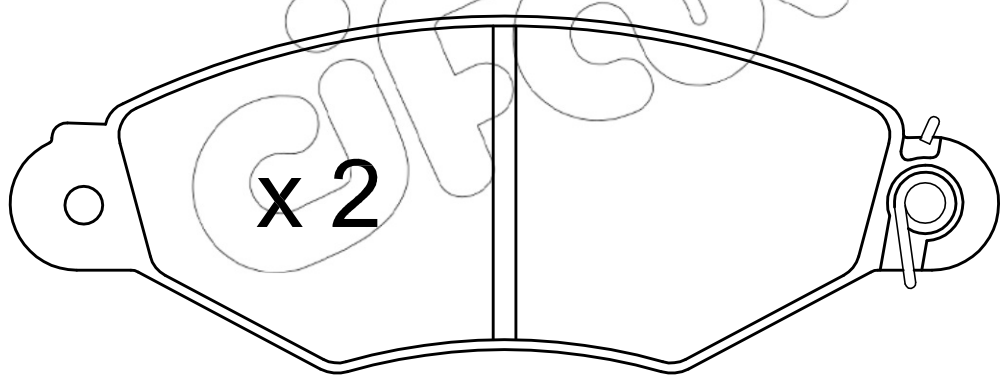
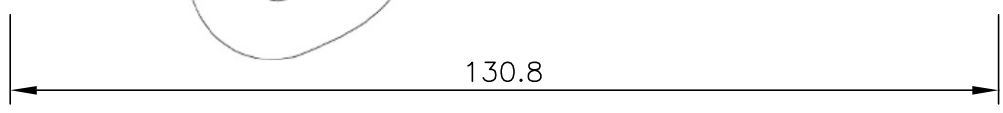


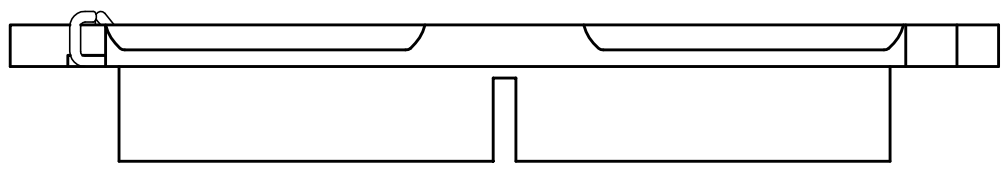
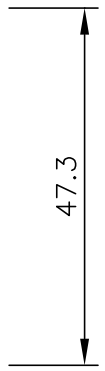
x 1  L = 170



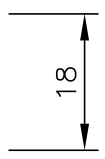
130.8



47.3



18



x 2

